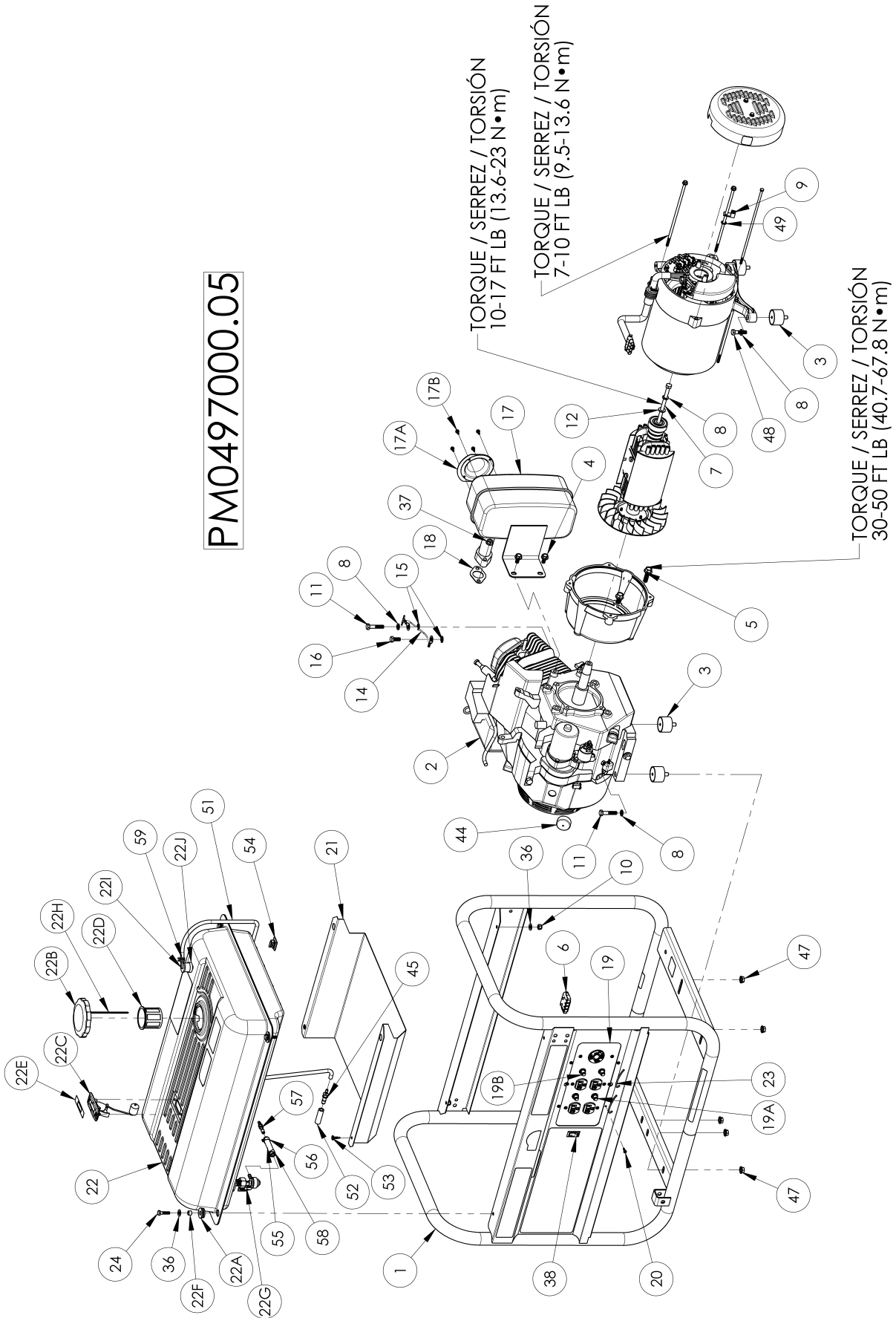


PARTS DRAWING / SCHEMA DES PIÈCES / DIAGRAMA DE PIEZAS

PM0497000.05

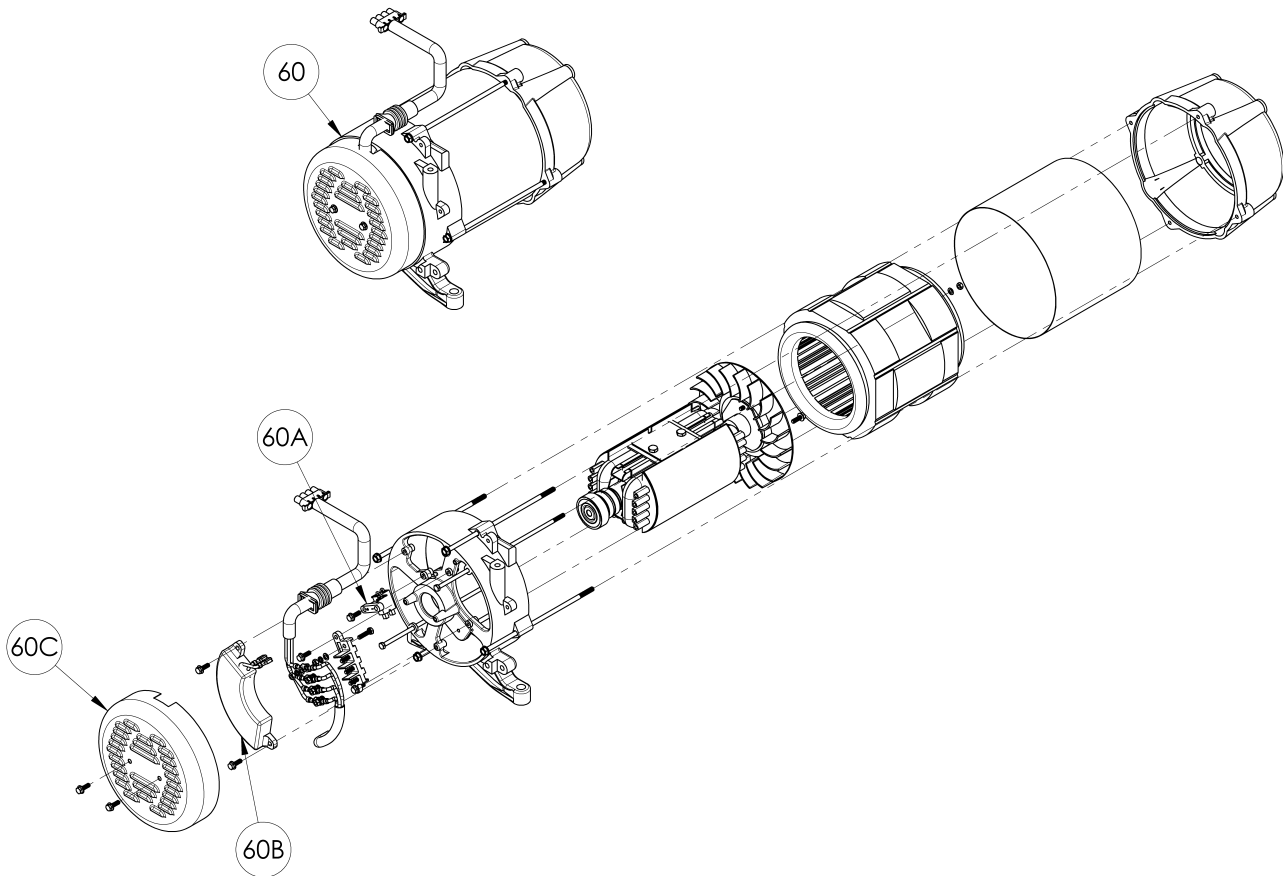


PARTS LIST / LISTE DES PIÈCES / LISTA DE PIEZAS

REF. NO.	PART NO.	DESCRIPTION	DESCRIPTION	DESCRIPCIÓN	QTY
1	0069044	Carrier, assembly	Ensemble transport	Transportador, conjunto	1
2	Note A	Engine 13 hp Honda OHV	Moteur	Motor	1
3	0051094	Isolator	Sectionneur	Aislador	4
4	0000901.01	Bolt whz 5/16-24 x .63	Boulon	Perno	2
5	0057512	Bolt whz 3/8-18 x 1 1/4	Boulon	Perno	4
6	0062797	Connector, panel	Connecteur, tableau	Conector, panel	1
7	0067521	Bolt, hex 5/16-24 x 9.75	Boulon	Perno	1
8	Note B	Washer, lock 5/16	Contre-écrou 5/16	Arandela, de cierre 5/16 (7,94 mm)	5
9	0008854	Lug, ground	Oeillet de mise à la terre	Terminal, tierra	1
10	0040832	Nut, nyloc 1/4-20	Écrous nyloc 1/4-20	Tuerca, nyloc 1/4-20 (6,35 mm)	6
11	Note B	Bolt, 5/16-18 x 1 1/2	Boulon	Perno	2
12	Note B	Washer, flat 5/16	Rondelle plates 5/16	Arandela, plana 5/16 (7,94 mm)	5
13	0048736	Nut, nyloc 5/16-18	Écrous nyloc 5/16-18	Tuerca, nyloc 5/16-18 (7,94 mm)	4
14	0049224	Assembly, ground wire	Ensemble fil de masse tressé a tierra	Conjunto, cable trenzado	1
15	Note B	Washer, star external 5/16	Rondelle à dents externa 5/16	Arandela, estrella	2
16	Note B	Bolt, hex 5/16-18 x 3/4	Boulon, tête hex 5/16-18 x 3/4	Perno	1
17	0057664	Muffler	Silencieux	Silenciador	1
17A	0038984	Screen, spark arrest	Crépine, pare-étincelles	Malla, apagachispas	1
17B	0001537	Screw #8-32 x 3/8	Vis	Tornillo	4
18	0061392	Gasket	Joint	Empaquetadura	1
19	0065546	Panel, wired	Tableau complet câblé	Panel, cabeado completo	1
19A	0049071	Circuit Breaker 20 amp	Disjoncteurs 20 amp	Cortacircuitos 20 A	2
19B	0049382	Circuit Breaker 30 amp	Disjoncteurs 30 amp	Cortacircuitos 30 A	2
20	0062020	Screw #6-19 x .50 Torx	Vis	Tornillo	4
21	0069062	Shield, heat	Écran de chaleur	Pantalla para el calor	1
22	Note C	Fuel tank assembly	Ensemble complet du réservoir	Conjunto tanque	1
22A	0061877	Grommet	Oeillet	Arandela de cabo	4
22B	0065450	Fuel Cap	Capuchon	Tapa de combustible	1
22C	0061817	Fuel gauge/screws	Jauge de carburant/vis	Indicador de combustible/tornillos	1
22D	0061942	Fuel filter	Filtre à carburant	Filtro de combustible	1
22E	0066076	Decal, fuel gauge	Décalcomanie de jauge	Calcomanía de indicador	1
22F	0066072	Insert mount	Insertion	Inserto	4
22G	0065809	Fuel shut off	Robinet de carburant	Válvula combustible	1
22H	0066090	Ring, chain attachment	Anneau	Anillo	1
22I	0067767	Valve, rollover	Soupape	Válvula	1
22J	0065127	Bushing, valve	Bague	Buje	1
23	0055982.01	Cord Keeper™	Cord Keeper™	Cord Keeper™	2
24	Note B	Bolt, 1/4-20 x 1	Boulon	Perno	4
25	0063191	Handle	Poignée	Manija	2
26	Note B	Bolt, 5/16-18 x 2 1/4	Boulon	Perno	2
27	Note B	Washer, flat 3/8	Rondelle plates 3/8	Arandela, plana 3/8 (9,53 mm)	2
28	0063771	Wheel	Roue	Rueda	2
29	0055894	Rubber Foot	Pied	Pie	2
30	0062174	Lanyard	Lanyard	Acollador	2
32	Note B	Bolt, 3/8-16 x 4.25	Boulon	Perno	2
33	0057578	Nut, nyloc 3/8-16	Écrous nyloc 3/8-16	Tuerca, nyloc 3/8-16 (9,53 mm)	2
34	0062502	Pin, release	Épingle de relâchement	Alfileres de la liberación	2
35	0058955	Cap, plastic	Capuchon	Tapa	2
36	Note B	Washer, flat 1/4	Rondelle plates 1/4	Arandela, plana 1/4 (6,35 mm)	10
37	0061393	Nut whz 8mm	Écrous	Tuerca	2
38	0050298	Switch, Rocker	Interrupteur	Interruptor	1
39	0062433	Wheel spacer	Bague d'espacement	Espaciador de la rueda	2
40	0062495	Grip, handle	Poignée	Empuñadura	2
41	0049352	Washer, flat 5/16 W	Rondelle plates 5/16 large	Arandela, plana 5/16 (7,94 mm) de largo	4
42	Note B	Bolt, 5/16-18 x 1	Boulon	Perno	2
43	0062301	Bracket, foot	Support de pied	Soporte del pie	1
44	0069048	Cap, vinyl dip	Capuchon	Tapa	1
45	0069066	Connector, hose	Connecteur de flexible	Conector de manguera	1
46	0063164	Spacer, handle bracket	Entretoise	Espaciador	2
47	0057254	Nut, hex flg 5/16-18	Écrous 5/16-18	Tuerca 5/16-18 (7,94 mm)	5
48	Note B	Bolt, 5/16-18 x 1 1/4	Boulon	Perno	2
49	Note B	Washer, star external 1/4	Rondelle à dents externa 1/4	Arandela, estrella	1
50	Note B	Bolt, 1/4-20 x 1 1/2	Boulon	Perno	2
51	1130660180	Fuel hose 4.5mm ID	Flexible de carburant	Manguera de combustible	1
52	1130688810	Fuel hose 8mm ID	Flexible de carburant	Manguera de combustible	1
53	0064138	Screw #10 x 3/4	Vis	Tornillo	2
54	0067624	Clip, adhesive mount	Attache	Presilla	2

PARTS LIST / LISTE DES PIÈCES / LISTA DE PIEZAS

REF NO.	PART NO.	DESCRIPTION	DESCRIPTION	DESCRIPCIÓN	QTY
55	1130634480	Fuel hose 1/4 ID	Flexible de carburant	Manguera de combustible	1
56	0035857	Clamp, hose	Crampon, tuyau	Abrazadera, manguera	1
57	0069066	Connector, hose	Connecteur de flexible	Conector de manguera	1
58	0051101	Clamp, hose	Crampon, tuyau	Abrazadera, manguera	1
59	0050859	Clamp, hose	Crampon, tuyau	Abrazadera, manguera	1
60	0064546	Generator head, Sumec	Tête de la génératrice, Sumec	Cabezal del generador, Sumec	1
60A	0063230	Brush module	Brosser le module	Cepille módulo	1
60B	0063948	AVR module	La tension automatique régulatrice	El regulador automático del voltaje	1
60C	0063240	Cover, end	Couvercle	Tapa	1



PORTABILITY KIT INSTALLATION

TOOLS REQUIRED: 7/16", 1/2" and 9/16" sockets and ratchets, block(s) of wood (minimum of 6" tall).
Refer to the parts list on page 9.

WHEEL INSTALLATION

1. Block up end of generator opposite the fuel tank cap to install wheel kit.
2. Insert wheel spacer (item 39) into the center of the wheel (item 28).
3. Slide 3/8 x 4.25" bolt (item 32) and 3/8 washer (item 27) through the wheel (item 28), then through the wheel bracket on the carrier, with the offset side of the wheel hub against the wheel bracket.
4. Thread 3/8 nyloc nut (item 33) onto the bolt and tighten to securely clamp the wheel assembly to the carrier.
5. Repeat above instructions for the remaining wheel.

FOOT INSTALLATION

1. Assemble the rubber feet (item 29) to the foot bracket (item 43) using a 1/4-20 x 1.5" bolt (item 11). Thread a 1/4 washer (item 36) and a 1/4 nyloc nut (item 10) to the bolt to secure the assembly. Caution: Do not over tighten so that the foot material collapses.
2. Blocking up the alternator side of the generator, place the foot bracket under the carrier channel. Thread a 5/16-18 x 1" bolt (item 42) with a 5/16 wide washer (item 50) through the mounting holes and thread a 5/16 wide washer (item 50) and a 5/16 nyloc nut (item 13) to the bolt to secure the foot bracket to the carrier.

HANDLE INSTALLATION

1. Place handle (item 25) and spacer (item 46) on carrier on same end as feet, as shown in the diagram.
2. Slide 5/16 x 2.25" bolt (item 26) and 5/16 washers (item 12) through handle and spacer as shown in diagram and secure with 5/16" nyloc nut (item 13). Tighten until handle is securely clamped to the carrier.
3. Apply aerosol hairspray or similar adhesive to the handle (item 25), and then slide the handle grip (item 40) onto the handle. The aerosol hairspray will allow for easier assembly and will adhere the grip to the handle.
4. Insert cap (item 35) into end of handle (item 25).
5. Repeat above instructions for the remaining handle.

LOCKING HANDLE

1. Attach the lanyards (item 30) to the release pins (item 34) and carrier as shown in the illustration.
2. To lock the handle (item 25) in the extended position, align the holes in the handle brackets with the holes in the carrier brackets and insert the release pins (item 34).

